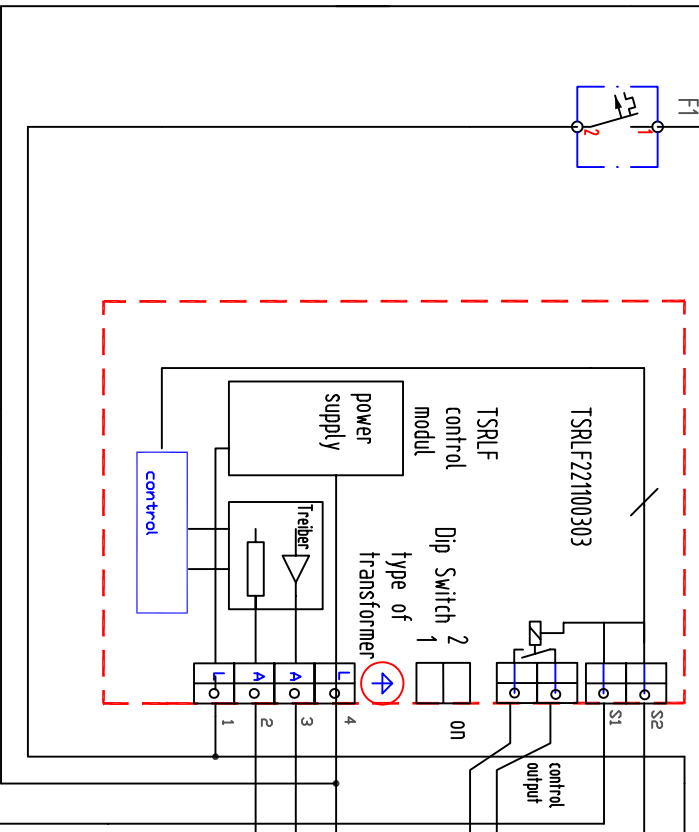
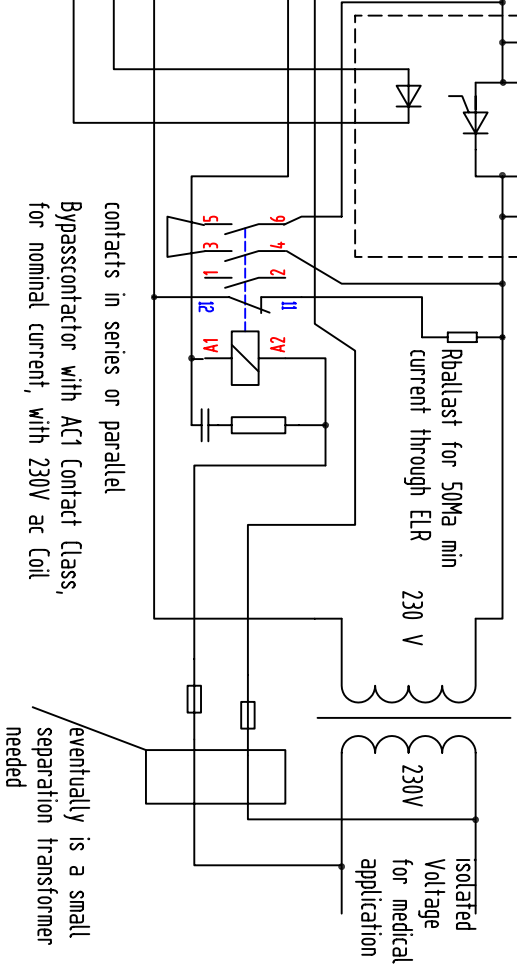


Line 230V, 400V
 N Lx
 fast fuses allowed e.g. Circuit breaker with nominal current



solid state relay, random switching, for 25A - 125A
 = nominal current of transformer, without heat sink
 $T_{d-on} < 200$ Microseconds. Example: Celduc SC764110, 400V 50A

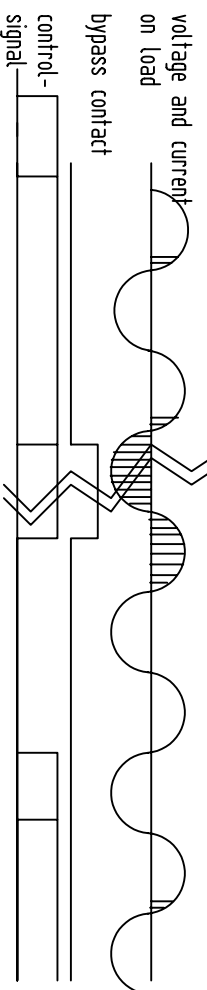


Sample for TSRLF with external Solid state relay and additional bypasscontact to avoid heat losses

avoiding of inrush currents by premagnetisation

Switch on delay: e.g. 5-20msec, because of line synchronisation of tsrlf
 Switch off delay: e.g. 5-20 msec, because of switch off in the same direction of the premagnetisation

only small contact arcing and wear, because contact closes after solid state relay and opens before solid state relay



transformer switching without inrush currents

Revision	Datum	Name	Zust.	Datum	Name
a			2	04.09.02	Konstanzer
b					
c					
d					

1	2	3	4	5	6	7	8
---	---	---	---	---	---	---	---

EMEKO IngBüro	TSRLF Applikation 06
M.Konstanzer	
Brüzingenstr. 36	
D 79114 Freiburg	
Tel. 0761 441803	
Blatt: 1	
von 01	

Application for TSRLF, with external solid state relay and bypass contactor