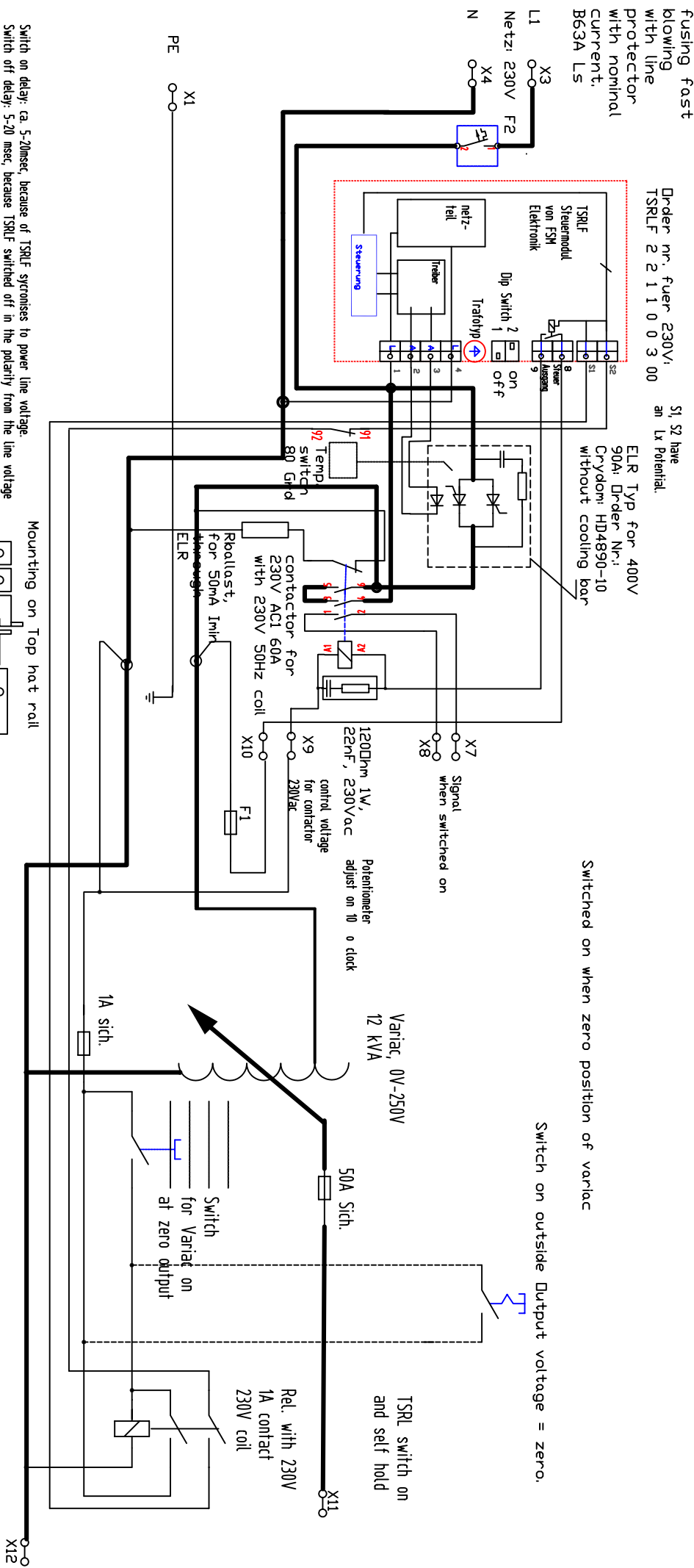


Drawing:
 TSRLF together with instant switching Electronic load relay and Bypass-contactor.
 Switch on a 230V, 12kVA, Transformer, without Inrush.
 Slow switching rate because of lifetime of mechanically contactor.

Single phase variac.
 Softstart for Variac with every load



Order nr. fuer 230V/ an Lx Potential
 TSRLF 2 2 1 1 0 0 3 00

ELR Typ for 400V
 90A; Order Nr.:
 Crydom: HD4890-10
 without cooling bar

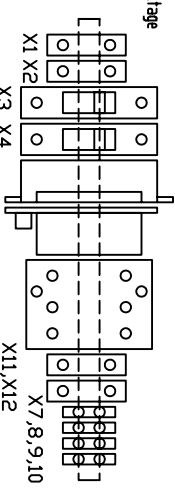
Switched on when zero position of variac

Switch on outside Output voltage = zero.

TSRLF switch on and self hold

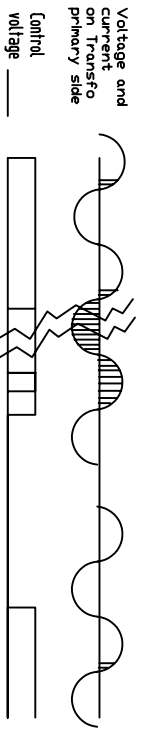
Rel. with 230V 1A contact 230V coil

Mounting on Top hat rail



Switch on delay: ca. 5-20msec, because of TSRLF synchronises to power line voltage.
 Switch off delay: 5-20 msec, because TSRLF switched off in the polarity from the line voltage where premagnetized.

The Control output of TSRLF switches the contactor, for non arcing of contacts



ISRLF-app-variact13e.dwg
 Emeko
 ing. Büro
 Freiburg
 27.06.2007