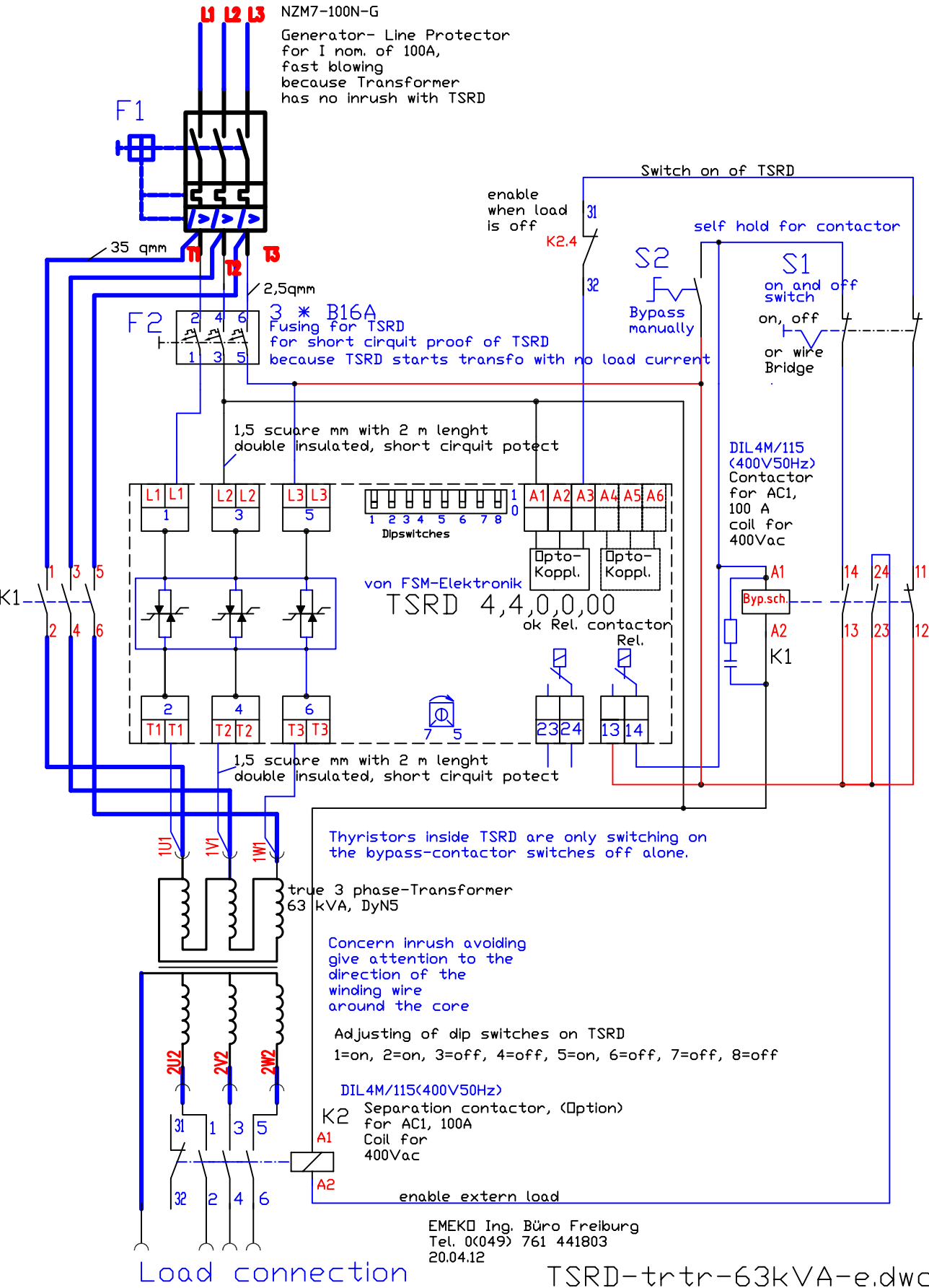


Drawing for TSRD for a delta transfo with 63 kVA

Only the no load current is flowing while switched on.

The TSRD for 50A is fused with B16A line protectors.
Then he is short circuit proof.



when capacitive loads like big power line filters are connected at the output,
or when other single phase transformer are connected at the output,
a separation contactor K2 is needed.